

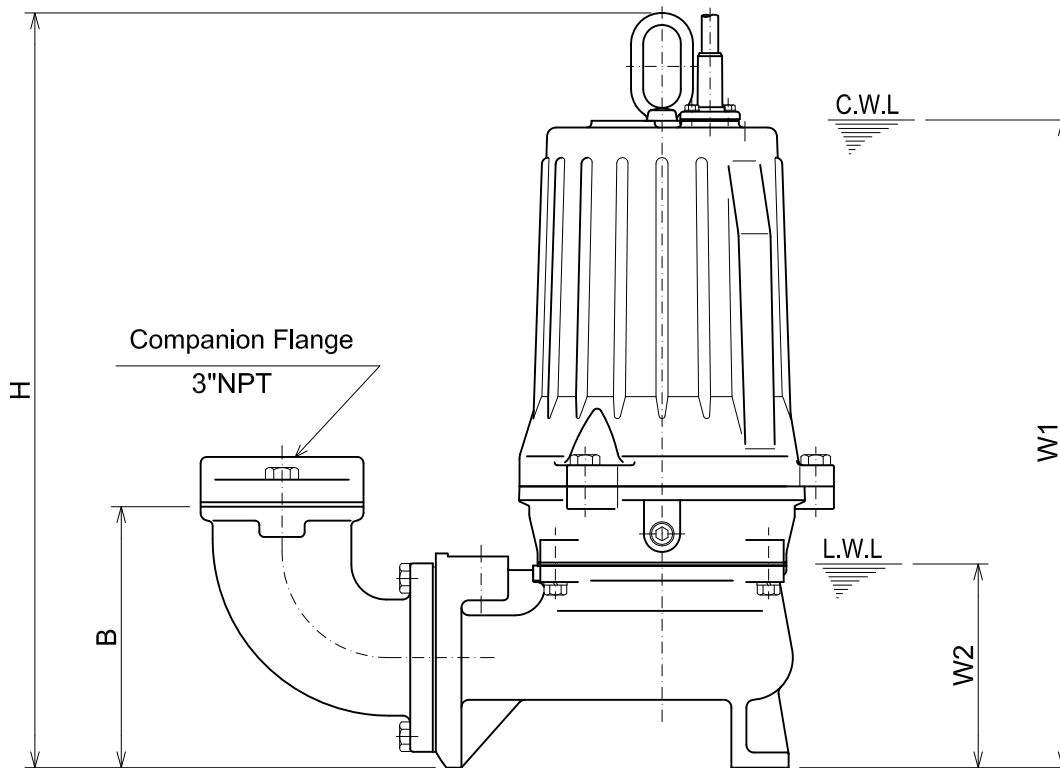
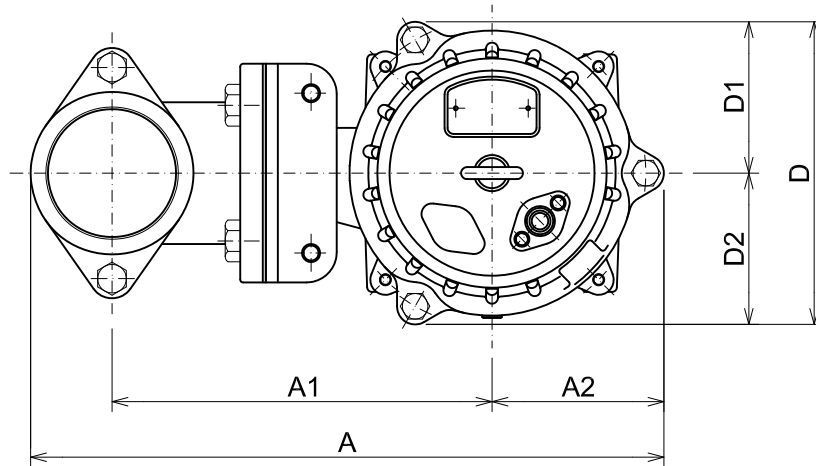


TSURUMI PUMP

**U-SERIES
SEMI-VORTEX - SEWAGE & WASTEWATER PUMPS**

DIMENSIONS

80U21.5 -63



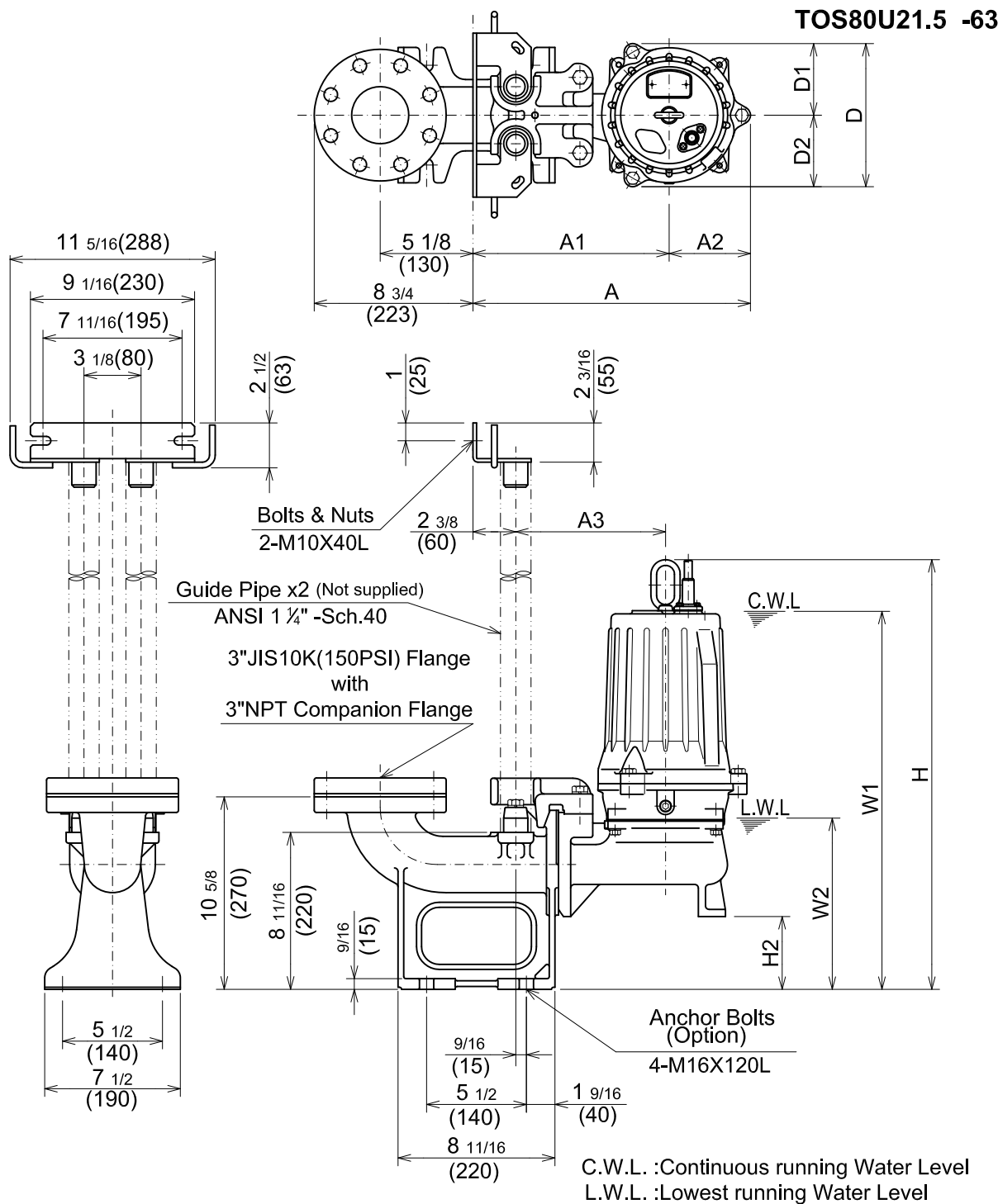
C.W.L. :Continuous running Water Level
L.W.L. :Lowest running Water Level

DIMENSIONS:USCS(Inch)

Model	HP	NOM. SIZE	Pump & Motor								C.W.L.	L.W.L.	Wt. (lbs.)
			A	A1	A2	B	D	D1	D2	H			
80U21.5 -63	2	3"	16 9/16	9 15/16	4 1/2	6 13/16	7 15/16	4	4	19 5/8	16 7/8	5 3/8	88

DIMENSIONS:METRIC(mm)

Model	kW	NOM. SIZE	Pump & Motor								C.W.L.	L.W.L.	Wt. (kg)
			A	A1	A2	B	D	D1	D2	H			
80U21.5 -63	1.5	80	420	252	114	173	202	101	101	499	430	135	40



DIMENSIONS:USCS(Inch)

Model	HP	NOM. SIZE	Pump & Motor								C.W.L.	L.W.L.	Wt. (lbs.)	
			A	A1	A2	A3	D	D1	D2	H				H2
TOS80U21.5 -63	2	3"	15 1/8	10 5/8	4 1/2	8 1/4	7 15/16	4	4	23 11/16	4	20 7/8	9 1/2	79

DIMENSIONS:METRIC(mm)

Model	kW	NOM. SIZE	Pump & Motor								C.W.L.	L.W.L.	Wt. (kg)	
			A	A1	A2	A3	D	D1	D2	H				H2
TOS80U21.5 -63	1.5	80	384	270	114	210	202	101	101	601	102	530	240	36

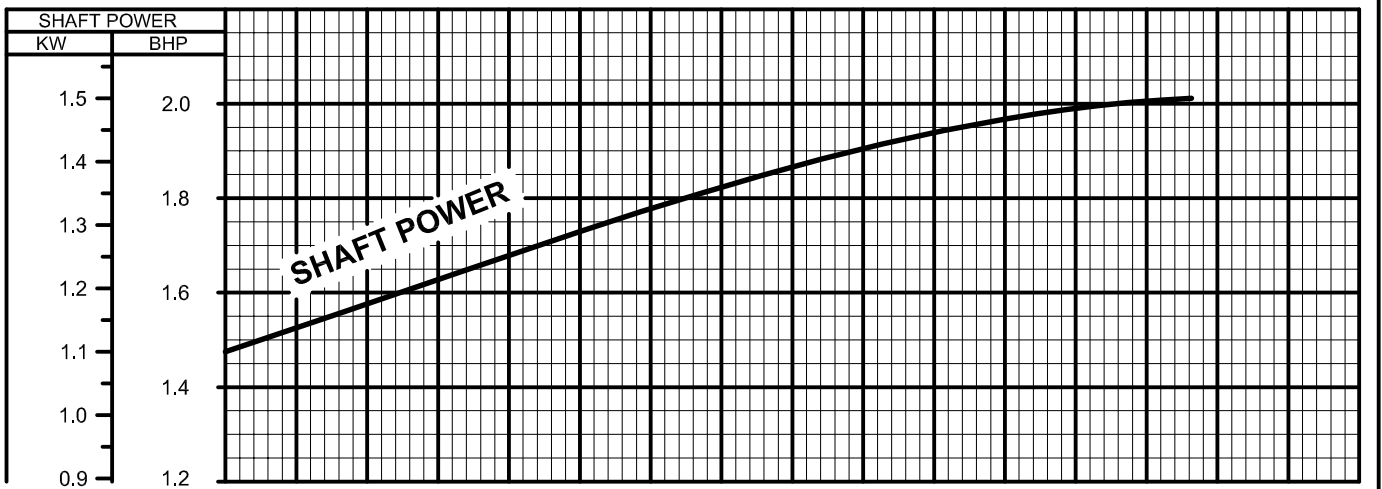
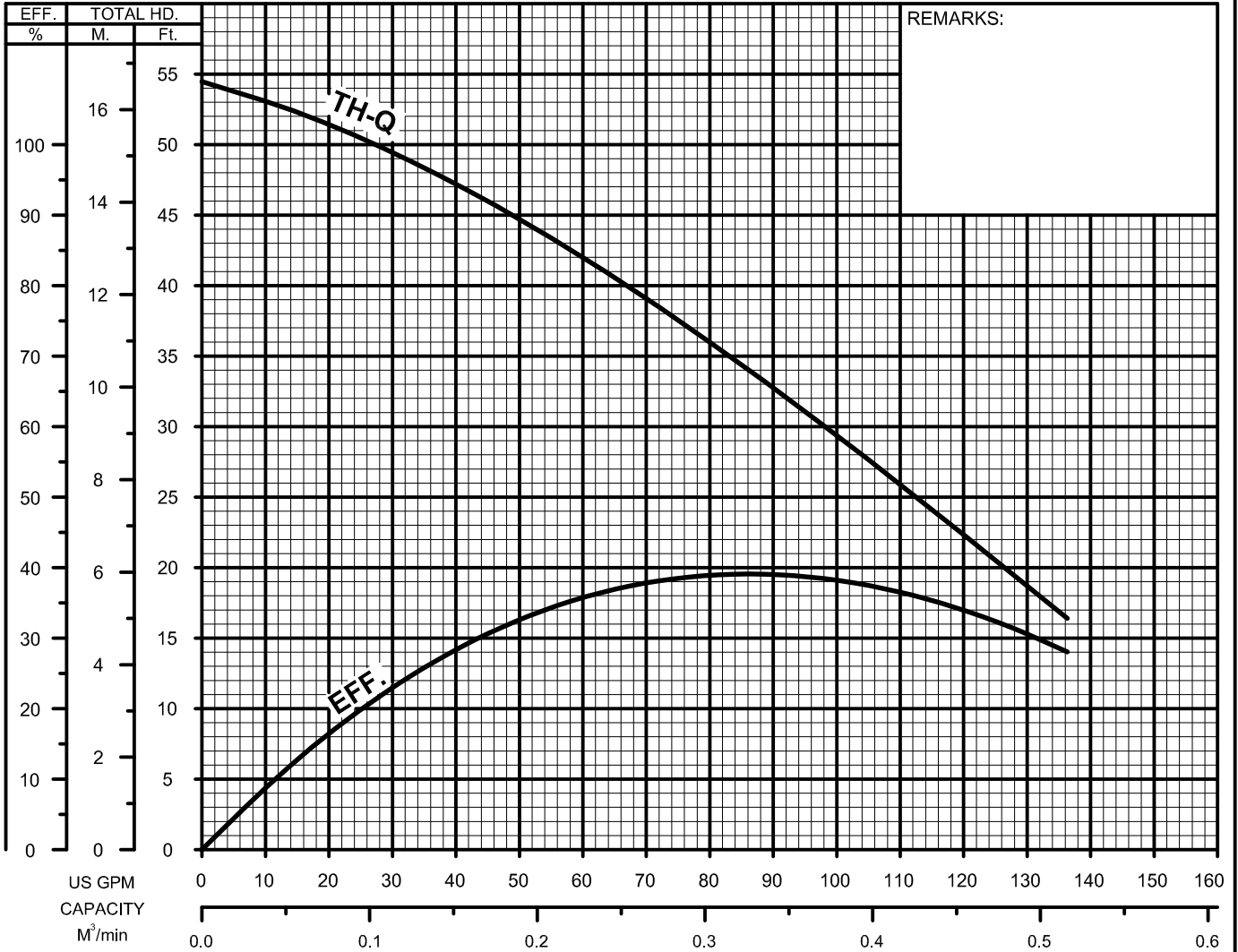
C.W.L. :Continuous running Water Level
L.W.L. :Lowest running Water Level



U-SERIES
SEMI-VORTEX - SEWAGE & WASTEWATER PUMPS

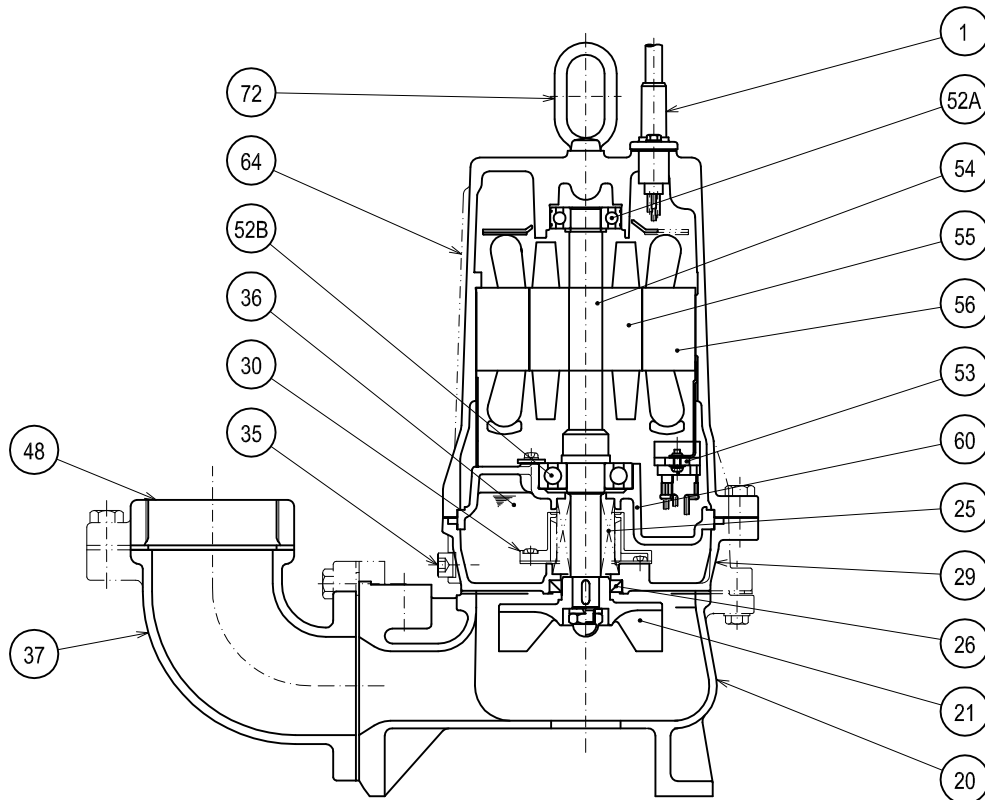
PERFORMANCE
CURVE

MODEL	BORE	HP	KW	RPM	SOLIDS DIA.	LIQUID	SG.	VISCOSITY	TEMP.
(TOS)80U21.5 -63	3"/80mm	2	1.5	3400	1.81"/46mm	Water	1.0	1.123cSt.	60°F
PUMP TYPE	PHASE	VOLTAGE	AMPERAGE	HZ	STARTING METHOD	INS.CLASS			
Semi-Vortex-Sewage&Wastewater	3	208-230/460/575	6.2-5.9/3.1/2.3	60	Direct On Line	F			
CURVE No.	DATE	PHASE	VOLTAGE	AMPERAGE	HZ	STARTING METHOD	INS.CLASS		
-	-	-	-	-	-	-	-		



**TSURUMI PUMP**
U-SERIES
SEMI-VORTEX - SEWAGE & WASTEWATER PUMPS
SECTIONAL VIEW

80U21.5 -63



PART#	DESCRIPTION	MAIN MATERIAL / NOTE	RELATED ASTM,AISI CODE	RELATED EN CODE	QTY
1	Power Cable	PVC Sheath AWG 16/4-32ft			1
20	Pump Casing	Cast Iron	A48M Class30B	EN 1561 GJL-200	1
21	Impeller	Cast Iron	A48M Class30B	EN 1561 GJL-200	1
25	Mechanical Seal	Silicon Carbide / H-20			1
26	Oil Seal	NBR / TC32488			1
29	Oil Casing	Cast Iron	A48M Class30B	EN 1561 GJL-200	1
30	Oil Lifter	PBT Resin W/GF40			1
35	Oil Plug	Stainless Steel	S 30400	1.4301	1
36	Lubricant	Turbine Oil ISO VG32 or SAE 10W-20			
37	Discharge Bend	Cast Iron	A48M Class30B	EN 1561 GJL-200	1
48	Companion Flange	Cast Iron / NPT 3"	A48M Class30B	EN 1561 GJL-200	1
52A	Upper Bearing	AC-#6204ZZC3			1
52B	Lower Bearing	#6305ZZC3			1
53	Motor Protector				1
54	Shaft	Stainless Steel	S 42000	1.4028	1
55	Rotor				1
56	Stator				1
60	Bearing Housing	Cast Iron	A48M Class25B	EN 1561 GJL-150	1
64	Motor Housing	Cast Iron	A48M Class25B	EN 1561 GJL-150	1
72	Lifting Lug Bolt	Stainless Steel	S 30400	1.4301	1

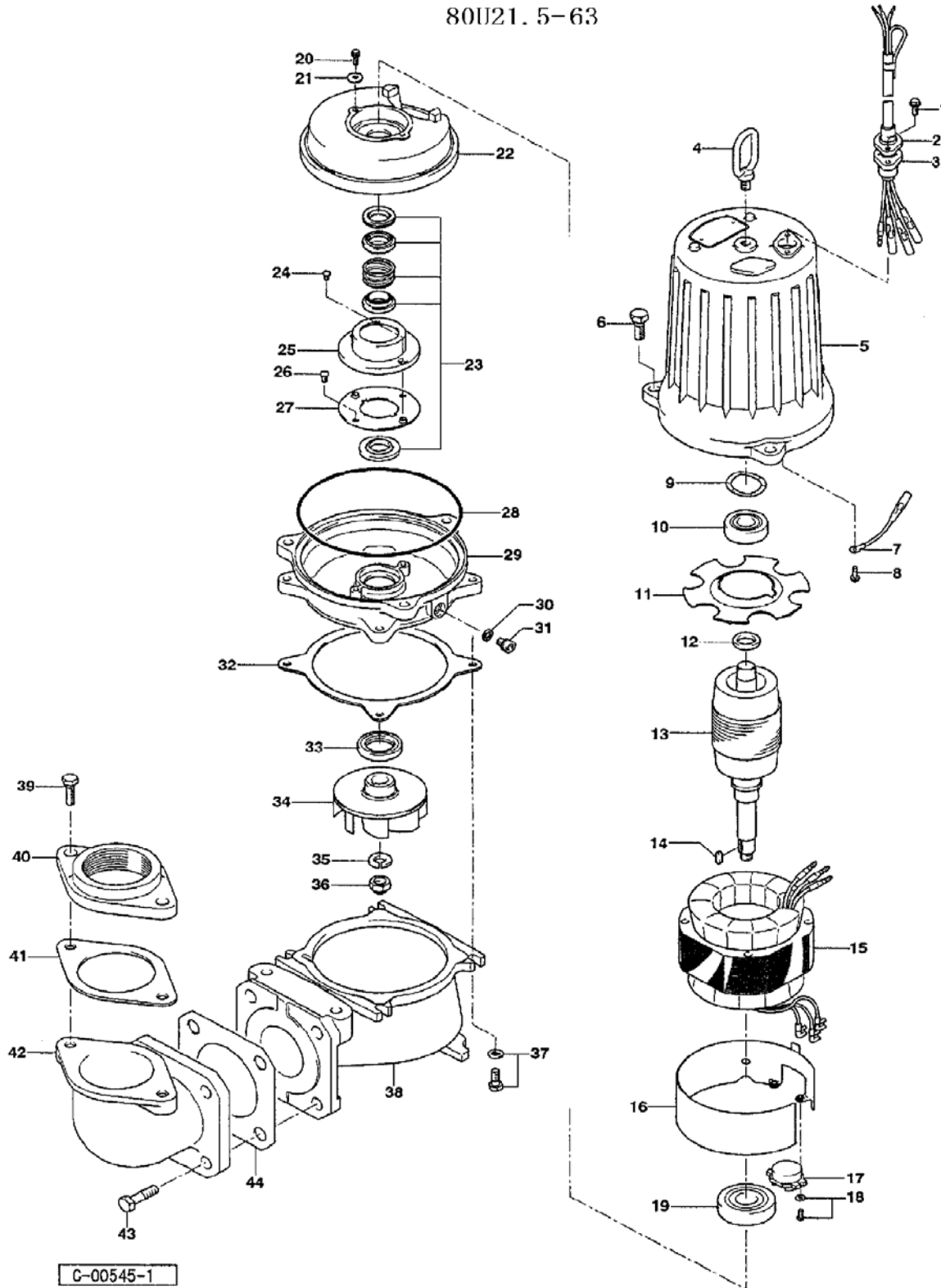
PARTS LIST		SEWAGE & WASTEWATER PUMP			7/6/2016	
ITEM	PART No.	DESCRIPTION	QTY	SIZE	MATERIAL	NOTES
1	140-427-17	Hex.Bolt (w/Plain Washer)	2	M5x15	SUS304	
2	003-190-10	Gland	1		SUS316	
3	001-803-20	Cabtyre Cable Set (32') 60Hz(USA)	1	VCT4Cx1.25mm2	LBT	
4	072-000-03	Eye Bolt	1	M10	SUS304	
5	064-000-08	Motor Frame	1		FC	
6	140-076-17	Hex.Bolt	3	M10x30	SUS304	
7	009-211-16	Earth Terminal	1Set	1.25mm2x120L		
8	143-085-34	Pan Screw (w/Spring Washer)	1	M4x6	C3604	
9	142-389-12	Wave Washer	1	6204	SK5	
10	052-187-16	Bearing (w/O-ring)	1	AC-6204ZZC3		
11	058-000-13	Lead Wire Protection Plate	1	d61xd132x2t	Bakelite	
12	061-174-18	Slinger	1	d20xd27x2t	SPC	
13	055-000-01	Rotor	1Set			
14	147-038-18	Impeller Key	1	5x5x15.5L	SUS420	
15	056-001-12	Stator 208/230V-60Hz(USA)	1Set			
	056-001-14	Stator 460V-60Hz(USA)	1Set			
16	127-000-26	Protector Fixing Plate	1	KA313,d145	SPCC	
17	053-000-01	Motor Protector 208/230V-60Hz(USA)	1	KA313-GBTL103	(T.C)	
	053-000-10	Motor Protector 460V-60Hz(USA)	1	KA311-DPXL78	(T.C)	
18	143-126-12	Pan Screw (w/Spring Washer/Plain Washer)	2	M4x12	SWRM	
19	052-108-13	Bearing	1	6305ZZC3		
20	140-000-23	Hex.Bolt (w/Spring Washer)	2	M5x10	SWRM	
21	062-187-17	Bearing Fixing Washer	2	d5.5xd18x2.3t	SPC	
22	060-000-16	Bearing Housing	1		FC	
23	025-192-10	Mechanical Seal (for USA)	1	H-20	SiC	
24	143-070-23	Pan Screw	2	M5x6	SWRM	
25	030-144-13	Oil Lifter	1	H-20(A)(T)	Resin	
26	143-070-10	Pan Screw	2	M5x6	SWRM	
27	030-153-15	Seal Stopper	1	H-20(A)	SPCC	
28	122-145-12	O-Ring	1	G-170(169.3xd5.7)	NBR	*
29	029-264-16	Oil Casing	1	U-50-15	FC	
30	121-246-11	Packing	1	d10.3xd16x2t	PE	*
31	035-124-12	Oil Plug	1	M10x15	SUS304	
32	121-398-19	Packing	1	d145xd165x3t	NBR	*
33	026-107-11	Oil Seal	1	TC-32488	NBR	
34	021D9513	Impeller (60Hz)	1	80U21.5-63	FC	
35	142-165-10	Spring Washer	1	M12	SUS304	
36	141-032-14	Hex.Cap Nut	1	M12	SUS304	

PARTS LIST		SEWAGE & WASTEWATER PUMP				7/6/2016
ITEM	PART No.	DESCRIPTION	QTY	SIZE	MATERIAL	NOTES
37	140-477-12	Hex.Bolt (w/Plain Washer)	4	M8x30	SUS304	
38	020-001-33	Pump Casing	1	U-65-15	FC	
39	140-099-16	Hex.Bolt	2	M12x40	SUS304	
40	048-182-18	Screwed Flange	1	NPT-3(P.C.140)	FC	
41	121-137-18	Packing	1	MBT(P.C.140)	NBR	*
42	037-118-19	Discharge Bend	1	80mm(123-17)	FC	
43	140-123-10	Hex.Bolt	4	M16x35	SUS304	
44	121-152-19	Packing	1	145mm2(P.C.145)	NBR	*
	173-464-18	Packing O-Ring Set	1Set	(Marked by *)		
28	122-145-12	O-Ring (M.Frame/O.Casing)	1	G-170(169.3xd5.7)	NBR	*
30	121-246-11	Packing (Oil Plug)	1	d10.3xd16x2t	PE	*
32	121-398-19	Packing (O.Casing/P.Casing)	1	d145xd165x3t	NBR	*
41	121-137-18	Packing (Screwed Flange)	1	MBT(P.C.140)	NBR	*
44	121-152-19	Packing (Discharge Bend)	1	145mm2(P.C.145)	NBR	*
		Lubricant		Turbine Oil VG32 840ml		

PARTS LIST		SEWAGE & WASTEWATER PUMP			7/6/2016	
ITEM	PART No.	DESCRIPTION	QTY	SIZE	MATERIAL	NOTES

EXPLODED VIEW

80U21.5-63



C-00545-1